

Loud Speaker (Internal Magnet)

Model: LIU36R-16H0.5W8



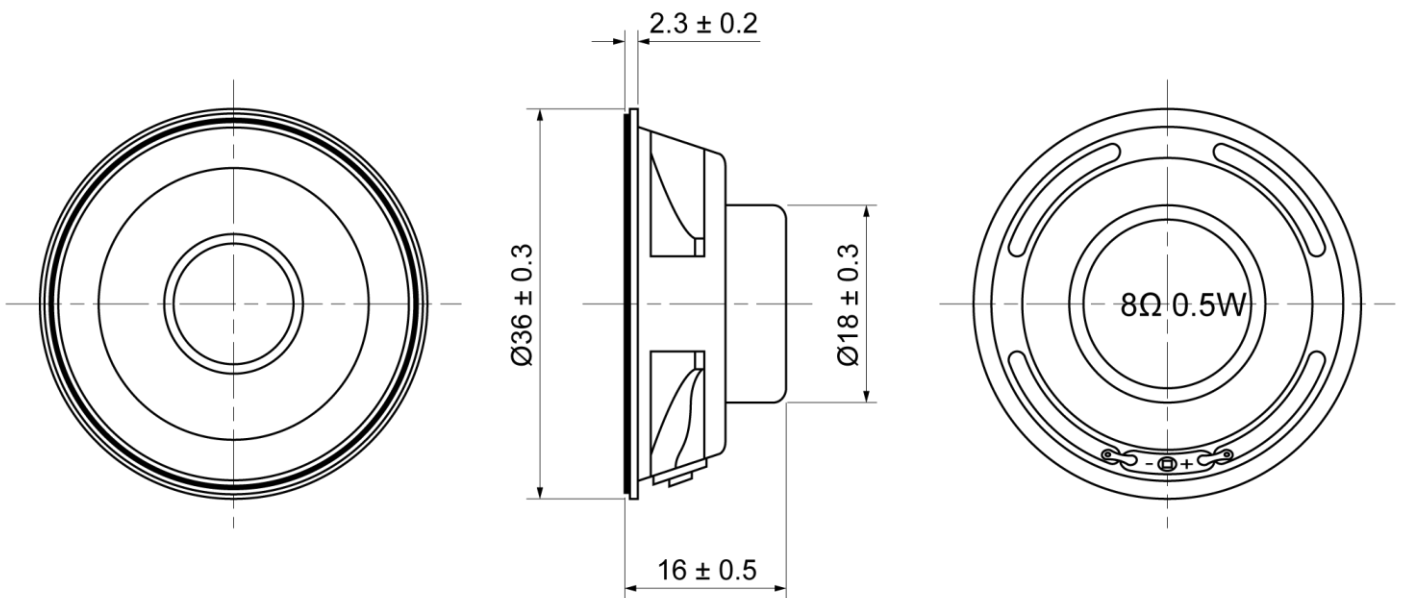
ELECTRICAL SPECIFICATIONS

| | Condition | Parameter | Unit |
|-------------------------|------------------------------------------------|------------|------|
| Sound Pressure Level | at 0.1W, 0.1M [at 0.8, 1.0, 1.2, 1.5KHz] | 88 ± 3 | dB |
| Impedance | at 1V, 1000Hz | 8 ± 15% | Ω |
| Rated Input Power | | 0.5 | W |
| Max Input Power | | 1 | W |
| Resonant Frequency (Fo) | at 1V | 300 ± 20% | Hz |
| Frequency Range | | Fo ~ 20000 | Hz |
| Buzzer & Rattles | not be audible at sine wave between Fo ~ 20KHz | 2 | V |
| Operating Temperature | | -25 ~ 55 | °C |
| Magnet | | Nd-Fe-B | |
| Frame Material | | Metal | |
| Cone Material | | Paper | |
| Weight | | 15 | g |

MECHANICAL DRAWING

Dimensions in mm

Tolerance ±0.5mm Except Specified



Loud Speaker (Internal Magnet)

Model: LIU36R-16H0.5W8

FREQUENCY RESPONSE CURVE

